



APPLICANT: BERTRAND ET AL.
TITLE: ELECTRONIC VALVE READER
ATTORNEY/AGENT: THOMAS F. WOODS
REG. NO. 36,726 TELEPHONE: 763.505.0003
DOCKET NO.: P-11490.00 SHEET 1 OF 8

REPLACEMENT SHEET

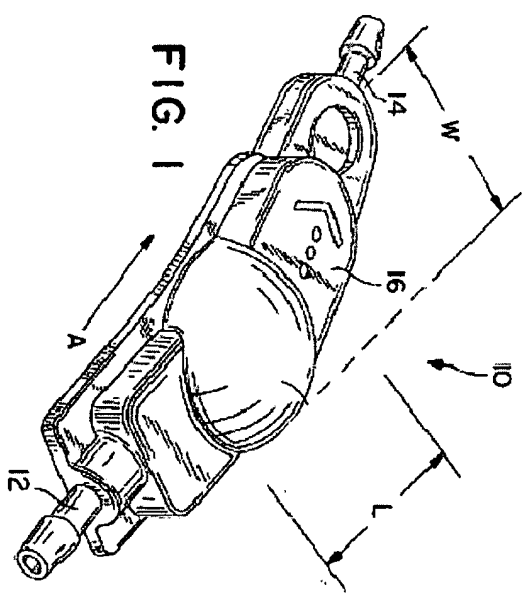


FIG. 1

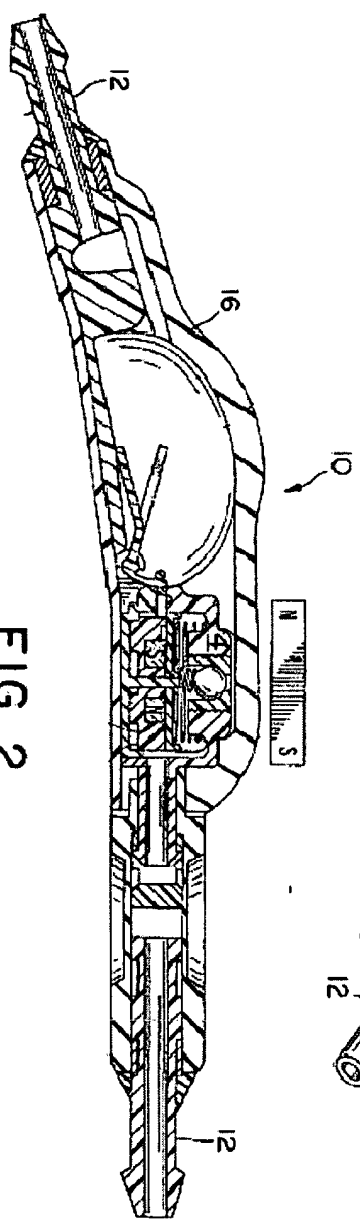


FIG. 2



APPLICANT: BERTRAND ET AL.
TITLE: ELECTRONIC VALVE READER
ATTORNEY/AGENT: THOMAS F. WOODS
REG. NO. 36,726 TELEPHONE: 763.505.0003
DOCKET NO.: P-11490.00 SHEET 7 OF 8

REPLACEMENT SHEET

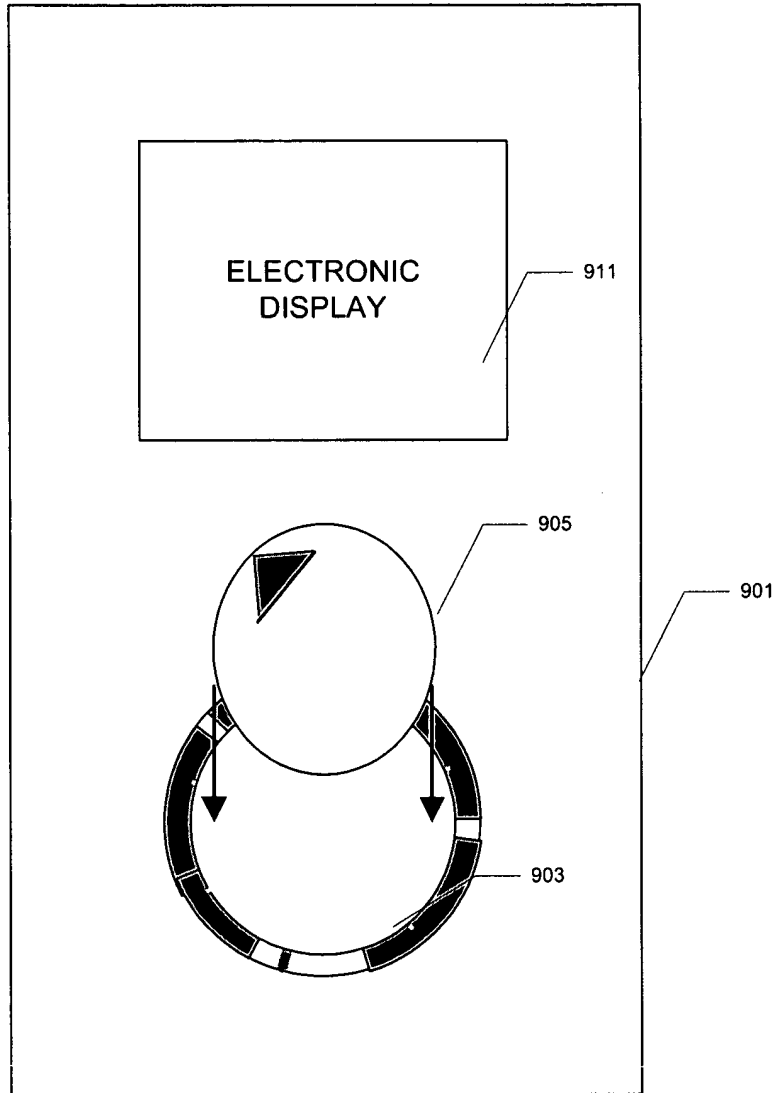


FIG. 9